

Installation Instructions

SS36

Required Tools

Wheelbarrow	Tape Measure
Shovel	Level
Digging Bar or Pick	Open End or Box Wrenches: 5/8", 9/16", 1/2"
Allen Wrench (Provided)	Ratchet Handle & Sockets: 5/8", 9/16", 1/2" 17mm
Marker Pen	Ladder

PLEASE READ AND UNDERSTAND ALL INSTRUCTIONS BEFORE BEGINNING

Before digging, please obey local laws by notifying your local utilities marking organization

1. Select an area in your yard that is reasonably level and meets the space requirements for your equipment. Ground Space: 18' x 19', Play Space: 22' x 29'.
2. Please refer to the Top Rail/Out Rigger assembly sheet and assemble your top rails as instructed.
3. Using the measurements from the top view diagram, measure and mark the position of the swing hangers and ladders on each of the top rails. Set aside.
4. Place over head ladder onto the ground in the desired location. Measure and adjust as necessary to allow for the proper play space.
5. With the Horizontal ladder in its proper position in the yard, mark the location for the holes where the two vertical ladders will stand. Move the horizontal ladder and dig the holes. (See installation instructions #1 hole sizes for cementing.)
6. Lay each vertical ladder on the ground near the hole where it will eventually stand. Make a mark 15" from the top of the ladder onto each ladder rail. Move the adjustable sleeves to these marks and position them to receive the overhead ladder by turning them to point at a 90 degree angle (towards what will become the inside of the structure) away from the upright ladder. Secure the set screws.
7. Insert the 9' top rail into the top sleeve of the ladder. Secure the set screws.
8. Place the ladder into its hole. Hint: Be sure that the adjustable sleeves are prepared to receive the horizontal ladder.
9. Lay the other ladder on the ground with the bottom of the ladder just over the hole where it will eventually stand.
10. Place the 17'1" outrigger about 10' away from the hole. Assemble and attach the swing hangers to the 17'1" outrigger.
11. Position the outrigger upside down on the ground. Assemble the "A" frame legs. (See installation instructions for "A" frame leg assembly.) Slide the outrigger into the top sleeve of the vertical ladder.
12. Using two strong adults, stand the structure up and allow the ladder to fall into the hole previously dug. Check and make sure that the outrigger is still properly positioned inside of the ladder top sleeve. The outrigger can be adjusted as follows: While securely holding the ladder, take hold of the "A" frame portion and push or pull as necessary. When you are satisfied that the outrigger is properly positioned inside the ladder top sleeve, secure the set screws. Note: The unit will not be level at this point.
13. Adjust the "A" frame legs in the play space as desired.
14. Mark the holes for the "A" frame legs. Move the legs out of the way and dig the holes. Hint: Keep most of the hole to the inside of the leg.

15. Place the legs into the holes.
16. Using two strong adults, lift and slide the horizontal ladder onto the adjustable sleeves at the swings side of the structure and secure the set screws. (See instructions for overhead ladder to upright ladder assembly.) Hint: Do not push the overhead ladder tight against the vertical ladders. Leave a 1/2" - 1" gap between the vertical ladder rails and the overhead ladder. This will allow for easier adjustment of the overhead ladder in the future.
17. Bring the other vertical ladder up to the horizontal ladder and secure set screws as before.
18. Attach the swing hangers and chains onto the 9' top rail.
19. Measure the height of the top rail to insure proper swing height.
20. Level the structure.
21. Mix concrete according to the package directions. Pour the concrete. You will use approximately 6-7 80 pound bags in each ladder hole and 1-1/2 bags in for each of the other holes. (See installation instructions for dimensions and hole sizes for cementing in the set.)
22. Allow the concrete to cure 3 - 5 days before using.
23. Attach the chains, swing seats and enjoy your Component Playground.

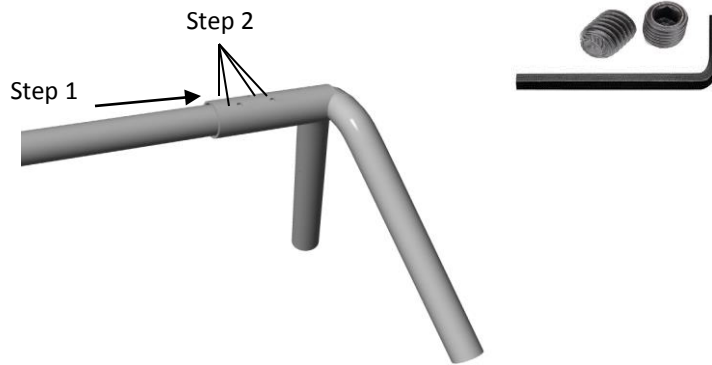
Top Rail Assembly



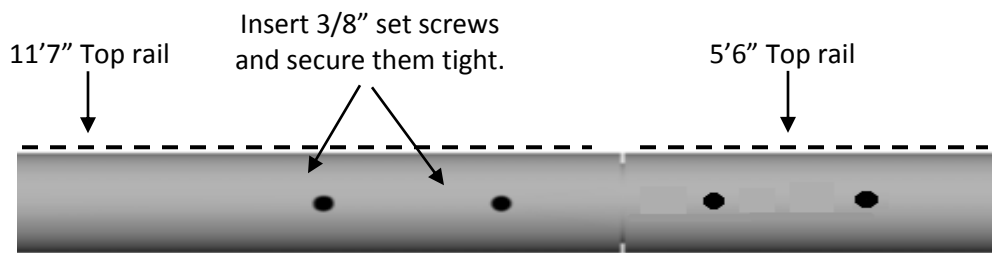
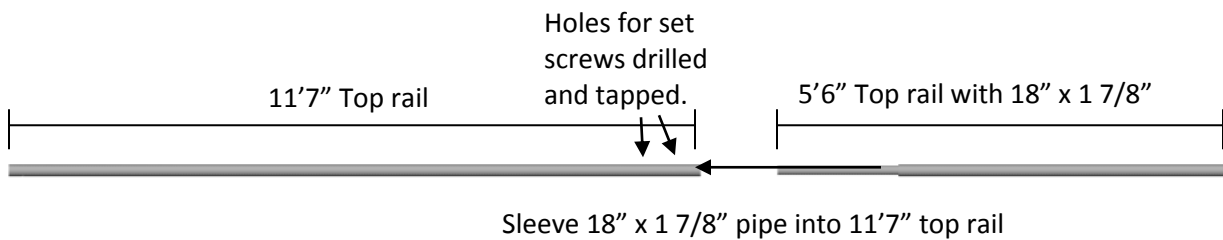
Step 1: Slide the Swing Hangers and tighten onto the Top Rail during the Top Rail Assembly process. (Refer to spacing diagram and graphic found above)

Step 2: Slide the ends of the 10' Top Rail as far as it will go into the Sleeve of the Triple End.

Step 3: Insert and tighten (4) 3/8" x 3/8" set screws into each of the Triple End Sleeves using Allen Wrench provided.



To assemble 17'1" top rail take the 11'7" top rail and the 5'6" top rail with welded 1 7/8" pipe. Sleeve the 18" of 1 7/8" into the 11'7" top rail. Now that you have it sleeved all the way in, secure it by using 2- 3/8" set screws and securing them tight (with allen wrench provided) in the 2 holes drilled and tapped at the top of the 11'7" top rail.



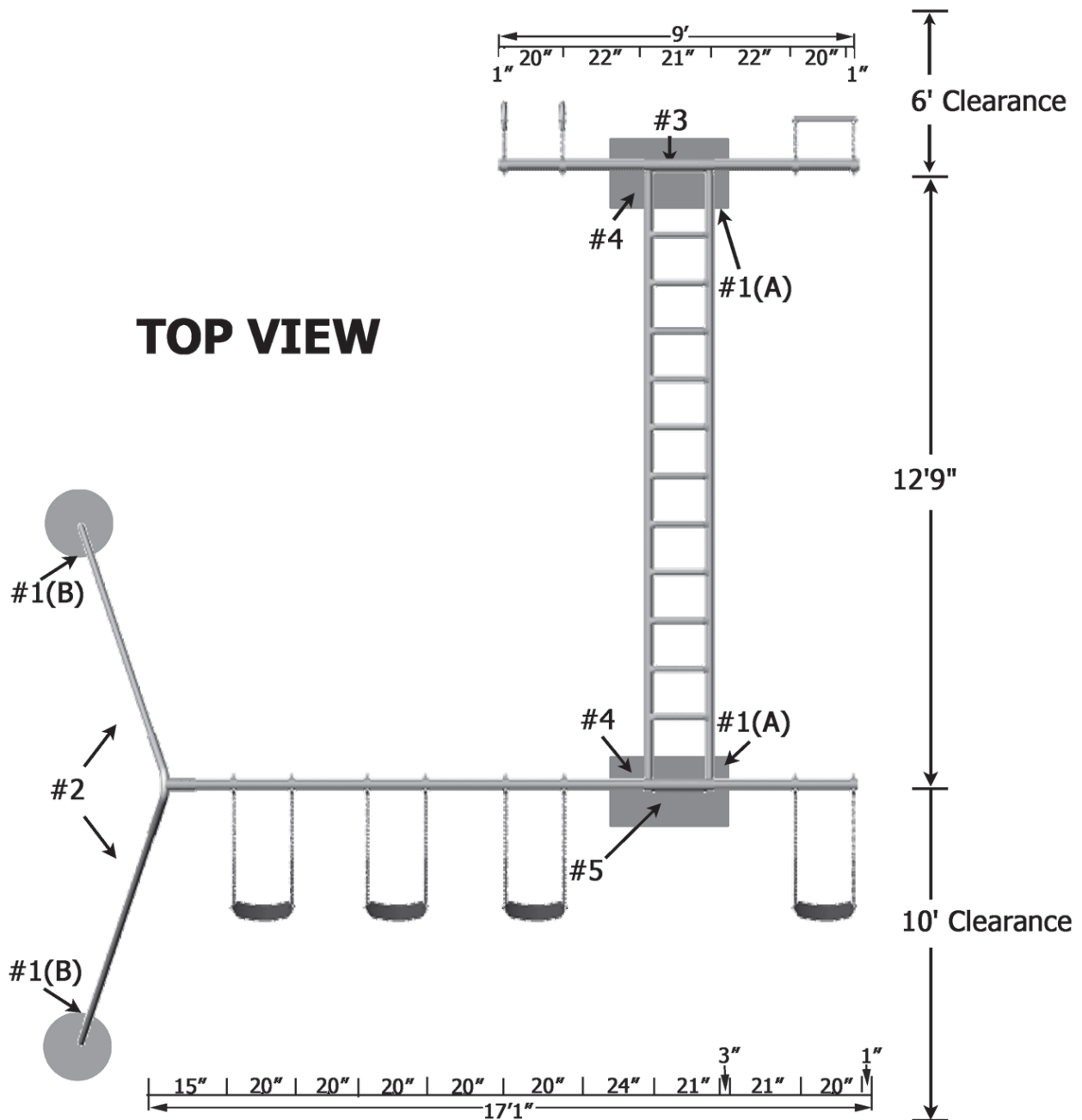
INSTALLATION INSTRUCTIONS

Model SS36

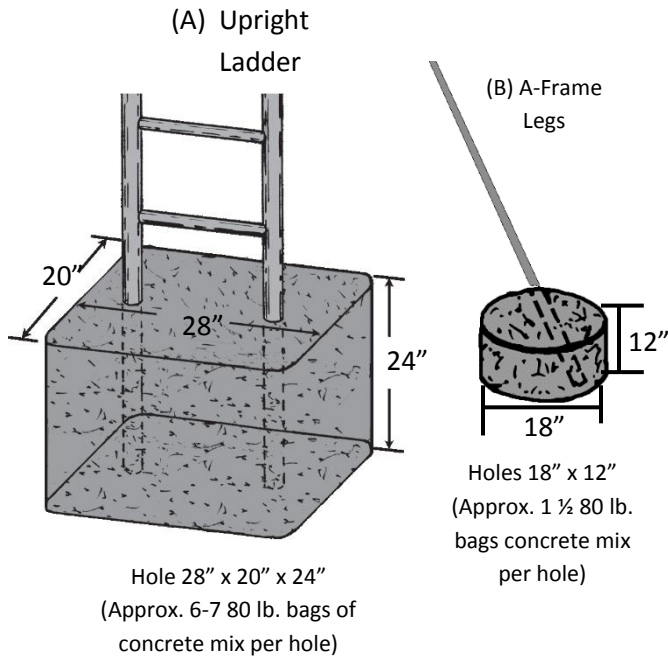


GROUND SPACE 18' X 19'
MINIMUM RESIDENTIAL PLAY SPACE 22' X 29'

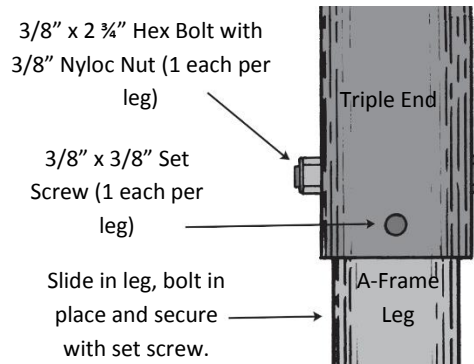
TOP VIEW



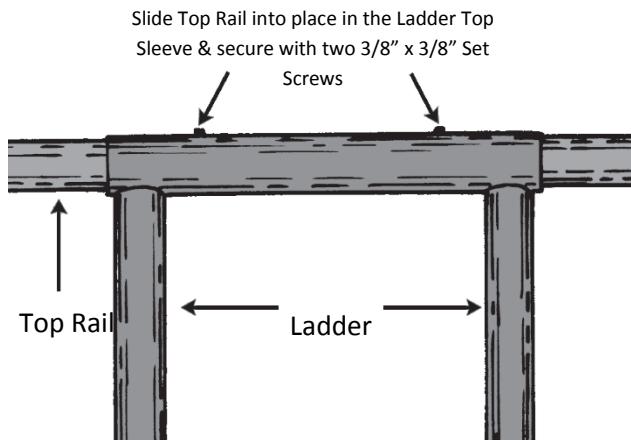
Model SS36 Continued



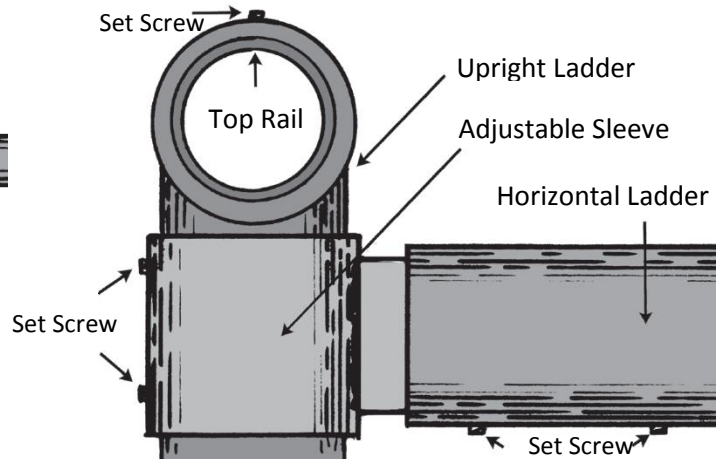
#1 Hole Sizes for Cementing in the Set



#2 A-Frame Leg Assembly



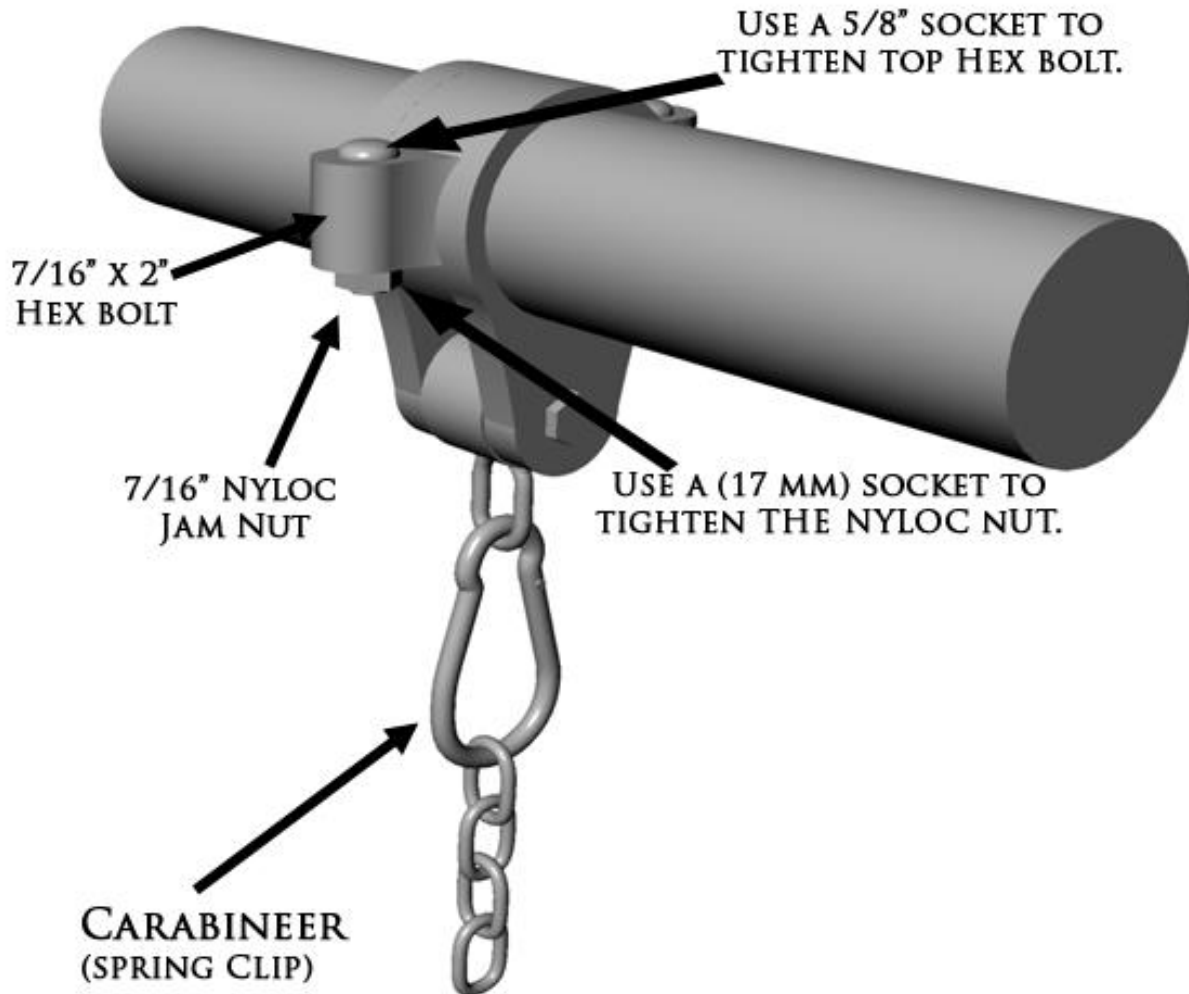
#3 Ladder to Top Rail Assembly



COMPONENT **PLAY** GROUNDS

BRASS BUSHING SWING HANGER

(MADE OF DUCTILE IRON TO FIT 2½ O.D. TOPRAIL)



1. Loosen and remove the two nyloc jam nuts.
2. Reassemble on to swing toprail. The Hex bolt can be positioned as it is pictured or flipped around so the hex bolt is on the bottom.
Tighten securely so that the hanger is firmly attached in place and cannot slide or swivel along toprail.
3. Attach Carabineer with chain through the ring.

Note: We recommend you check the pendulum in the swing hangers at least every 6 months for normal wear.

Read Before Use

Congratulations! You have just purchased one of the finest pieces of playground equipment available. Your family will enjoy many hours of fun with this fine equipment. Playground equipment can be most enjoyable, but there are some dangers if not used properly. You should be aware of the following:

Equipment should be installed in a level area, free from obstructions, with enough space to allow for adequate clearance in all directions when equipment is in maximum use.

Keep objects away from equipment that could interfere with persons using it or that could be hazardous.

Misuse or abuse of this playground equipment is dangerous and can cause serious injury.

This equipment should be inspected before each use and any worn, defective or missing parts should be replaced.

Children should play on equipment only with adult supervision and should be duly warned of the potential hazards in this type of equipment when used improperly. Children should be instructed as to proper caution to take in its use.

Equipment should NOT be used when it is wet or icy.

Equipment should only be used in a well-lighted area.

Do NOT use equipment when tired, under stress or emotionally upset.

Do NOT overcrowd.

Do NOT use equipment when under the influence of alcohol or drugs.

Do NOT attempt somersaults or gymnastic stunts on or using this equipment.

Know your own limitations and exercise caution at all times.

Do not jump off of equipment when dismounting. It is a dangerous practice to jump on or off equipment.

Do not attempt to use equipment for something other than the use for which it was designed and intended, or in a manner other than that for which it was designed and intended.

While every attempt is made by Component Playgrounds to ensure the highest degree of safety in all of our equipment, we cannot guarantee freedom from injury. The user assumes all risk of injury due to use. All merchandise is sold on this condition, which no representative of the company can waive or change.



Maintenance of your playground

We hope that you and your family will enjoy many of hours of great family fun while using your Component Playgrounds Products. We appreciate your business. Our goal is to provide safe, durable and fun products using the best materials available. Your product should be mostly maintenance free. However, you should consider the following suggestions with regard to the upkeep of your new swing set.

1. **Chains and Connectors:** The chains are coated with the highest quality bright zinc coating and the highest quality polymer coatings available. However, over time the zinc coating may become discolored or eventually have surface rust appear. The polymer coating may also become discolored with time and may eventually crack. This depends mostly upon environmental conditions and normally will not affect the durability and safety of the product. However, these items should be inspected regularly for excessive wear and should be replaced as necessary.
2. **Swing Hangers:** These items are coated with a high quality galvanizing. However, swing hangers may become discolored or may eventually rust. Should this happen, a touch up using a cold galvanizing compound followed by a coat of silver aluminum spray paint will make them look new again. These items can be purchased in aerosol cans ("spray paint") at most hardware stores and at Component Playgrounds. The brass bushings inside of the swing hanger are impregnated with lubricant and will not generally require any further lubrication. However, these should be periodically inspected for wear and replaced as necessary. Note: Twisting the chains while swinging will put extra wear on the swing hanger parts. If your children enjoy this practice, please inspect the swing hangers more frequently.
3. **Tire Swing Knuckles (for sets with a tire swing):** The tire swing knuckle arrives at Component Playgrounds pre-lubricated from the manufacturer. However, it is good practice to inspect the knuckle and be sure that there is adequate lubrication before it is used the first time. After that, the tire knuckles should be lubricated at least twice annually to prevent excessive wear and the eventual failure of the tire swing knuckle.
4. **Welds:** The heat from the welding process will damage the galvanizing that is on the pipe when it arrives to us from the manufacturer. This damage to the galvanizing is restricted to the actual weld. When your equipment is built, Component Playgrounds will

repair this damage using a cold galvanizing compound spray along with a top coat of silver aluminum. This is a time tested and durable process. However, when you are inspecting your playground equipment, if you notice that some surface rust has appeared on the welds, simply apply a fresh coat of the cold galvanizing compound and the silver aluminum top coat to keep your structure looking new. (These spray products can be purchased in aerosol cans ("spray paint") at most hardware stores and at Component Playgrounds.)

5. **Plastic Lumber Platforms:** If you have purchased a structure which includes a platform, the plastic lumber does not need to be finished or stained. It is 100% maintenance free. However, you may need to occasionally hose it down to remove dirt and other debris that may collect after many hours of use by happy children.
6. **Vinyl Canopies:** If you have purchased a structure which includes a vinyl canopy, this product should be inspected occasionally for wear and will need to be replaced as necessary. Depending upon your environmental conditions, the normal life expectancy of the vinyl canopy is 3 – 5 years.
7. **Swing Seats:** These should be inspected at least twice annually and should be replaced as necessary.
8. **Slides:** Slides should never be lifted at the bottom. Lifting the slide at the bottom will almost always cause the slide to crack at the top where it has been attached to the platform or bracket. Cracks and wear such as is caused by this practice are easily identifiable and will not be covered under the product warranty.

Slides should be inspected at least annually to ensure that the sliding surface is in good condition. Also inspect the side rails to be sure that the plastic has not been cut or gouged in any manner which would present the risk of injury while sliding.

9. **Fasteners:** All fasteners should be periodically inspected to make certain that they are tight and secure. Re-secure as necessary.



To Help Prevent Injuries from Falls & Other Hazards

1. Never attach, or allow children to attach the following items to your swing set: Ropes, jump ropes, clotheslines, pet leashes or any similar type of item to your swing set. Any item such as these may present a strangulation hazard.
2. Periodically inspect all nuts, bolts, set screws, clevis, and carabineer or "S" hooks. Make certain that these are functionally safe and secure. If you have any doubt as to the safety and security of any connector or fastener, replace it.
 - 2a. You should periodically check the brass bushings in the swing hangers. Look for excessive wear in the bushing and replace as necessary.
 - 2b. If your playground has a tire swing: The tire swing knuckle should be lubricated twice annually to prevent wear.
3. Never allow children to wear bicycle helmets when using playground equipment.
4. Remove drawstrings from hoodie's and jackets. Remove attached mittens and gloves. These can become entangled with the equipment and present the risk of strangulation or other hazards.
5. Playground surfaces can become hot in the sun. Children should be required to wear shoes and socks when using this or any playground equipment.
6. Check for and remove sharp points or edges in the playground equipment.
7. Remove tripping hazards from the playground area. Items such as exposed concrete footings, tree stumps, rocks or any item that may be present in your space that a child could trip over while playing should be removed.
8. Regularly check the play equipment and the surfacing surrounding it to be certain that both are in good condition.
9. Parental Supervision is recommended. The best ingredient for a safe playground is good parental supervision while the kids are using the equipment.
10. Remember to play safely, take turns, share with each other and have fun!

Residential Products Limited Lifetime Warranty

Component Playgrounds works to build heavy duty products that will stand up to the heavy use of active children. You can trust Component Playgrounds because of the way we design and build our products. We make products that are simple to own, and easy to maintain. This adds up to the best value on playground products that you can count on, and that kids will play on time after time.

Component Playgrounds warrants to the original purchaser/property owner that its' residential grade products are free from defect in materials and workmanship. This warranty is non-transferrable and will be honored only after proper registration.

This warranty is not extended to cosmetic items such as scratches, dents, fading, discoloring, paint wear, rust, weathering, or decorations. The warranty as stated is valid only if equipment is properly installed as detailed in the installation instructions provided and is used in a normal and expected manner. Excessive and or use above that which is normally expected may void the warranty. All parts are subject to normal wear for the purpose of which they were designed.

When attached to the structure, plastic slides should not be lifted up from the bottom for any reason. Cracks at the top of the slide that result from lifting the bottom of the slide will not be covered under the terms of this warranty.

This warranty is void should the equipment be subject to vandalism, misuse, neglect, abuse, improper installation, tampering, or accident. This equipment is not to be altered, or modified, by anyone other than Component Playgrounds or its authorized agent. This warranty does not cover damage resulting from flood, fire, catastrophe or other acts of nature.

To the extent permitted by law, Component Playgrounds shall not be liable for any direct, indirect, special, incidental, or consequential damages.

Should it be found that your product has parts that are defective within the warranty period, contact Component Playgrounds. *Unauthorized returns will be refused and returned to sender.* Defective part(s) must be photographed from a minimum of three different angles that clearly show the problem, and the installation of the defective part by its self and in relation to the rest of the structure. After speaking with a representative at Component Playgrounds: Return parts, freight prepaid, to the Component Playgrounds' plant with proof of purchase for repair or replacement. Component Playgrounds will evaluate the part(s) and the photographs and decide if the part(s) in question should be repaired or replaced. This warranty does not cover costs related to removal, transportation and/or labor.

This equipment is rated as commercial grade for residential use and is intended to be used in a private residential environment. This equipment may not meet all of the safety guidelines as described by the CPSC as it relates to public use/commercial playground equipment. For more information on public or commercial playgrounds, please visit www.cpsc.gov.

Component Playgrounds sales representatives or its agents are not authorized to modify or substitute claims which are not part of this exclusive written warranty. This warranty is void if the product is in any way modified from its original state, or if it is used for purposes other than the purpose for which it was intended.

*For children with special needs who may spend many hours of the day swinging, we recommend our heaviest swing set, the Arch Swing Model. This is the product for you!



WARRANTY REGISTRATION SHEET

Note: To ensure your warranty is activated, complete and return this form within 10 days of installation.

Return this form via e-mail to:
sales@componentplaygrounds.com

Or via U.S. mail to:
Component Playgrounds
1630 North Beck Street
Salt Lake City, UT 84116

Today's Date: _____
Sales Receipt/Invoice Number: _____

Model(s): _____

CUSTOMER INFORMATION

Project Name: _____
Contact Person: _____
Address: _____
City: _____ State: _____ Zip: _____
Phone: _____
Purchase Date: _____ Completion Date: _____

SALES REPRESENTATIVE/DEALER INFORMATION
(If different from manufacturer)

Organization: _____
City: _____ State: _____ Zip: _____
Sales Rep Name: _____
Phone: _____

INSTALLATION INFORMATION
(If different from customer or sales representative)

Installed By: _____
Contact Person: _____
Address: _____
City: _____ State: _____ Zip: _____
Phone: _____