

6

5

4

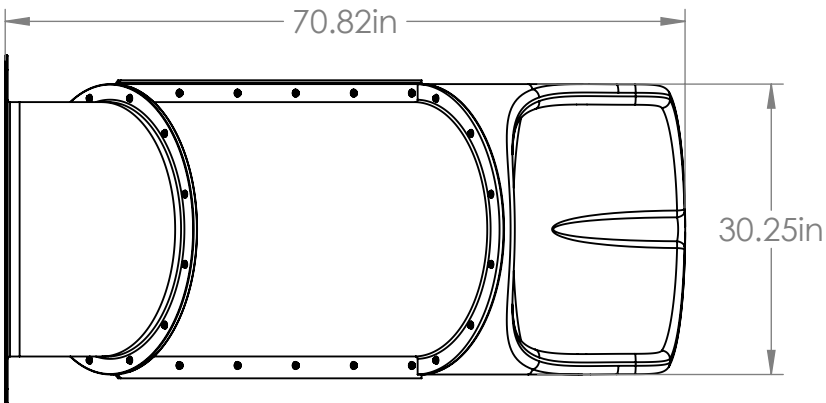
3

2

1

D

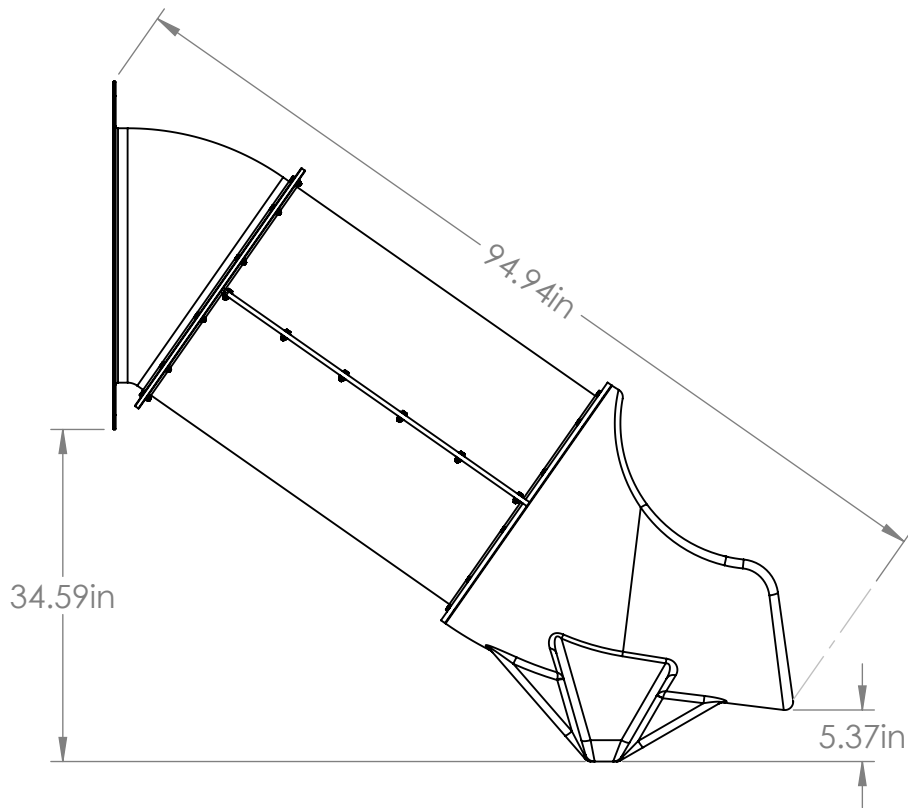
D



C

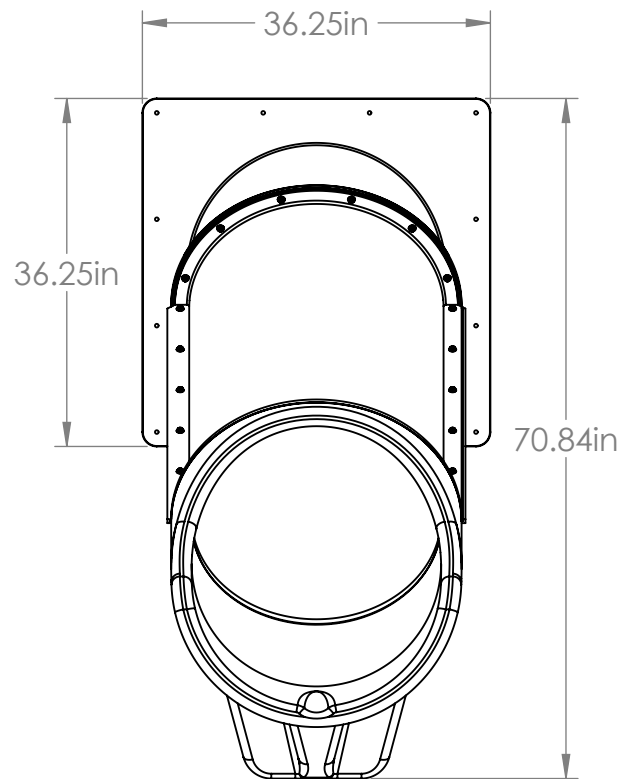
C

DIMENSIONS ARE IN INCHES  
 TOLERANCES:  
 FRACTIONAL ±  
 ANGULAR: MACH ± BEND ±  
 TWO PLACE DECIMAL ±  
 THREE PLACE DECIMAL ±



B

B



A

A

DRAWING TITLE:  
 3ft Tunnel Express Slide

6

5

4

3

2

1

SCALE: 1:20