

6

5

4

3

2

1

D

D

C

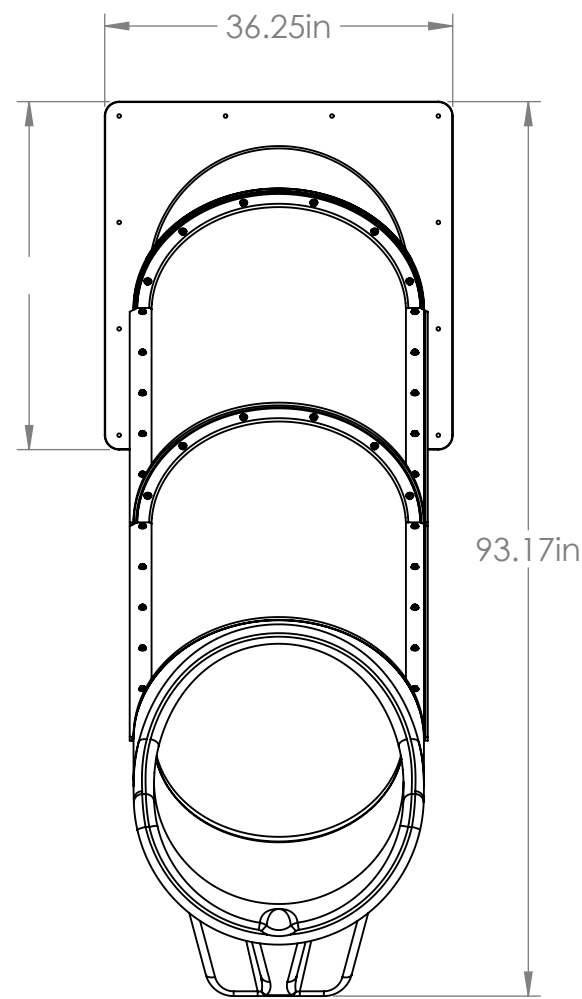
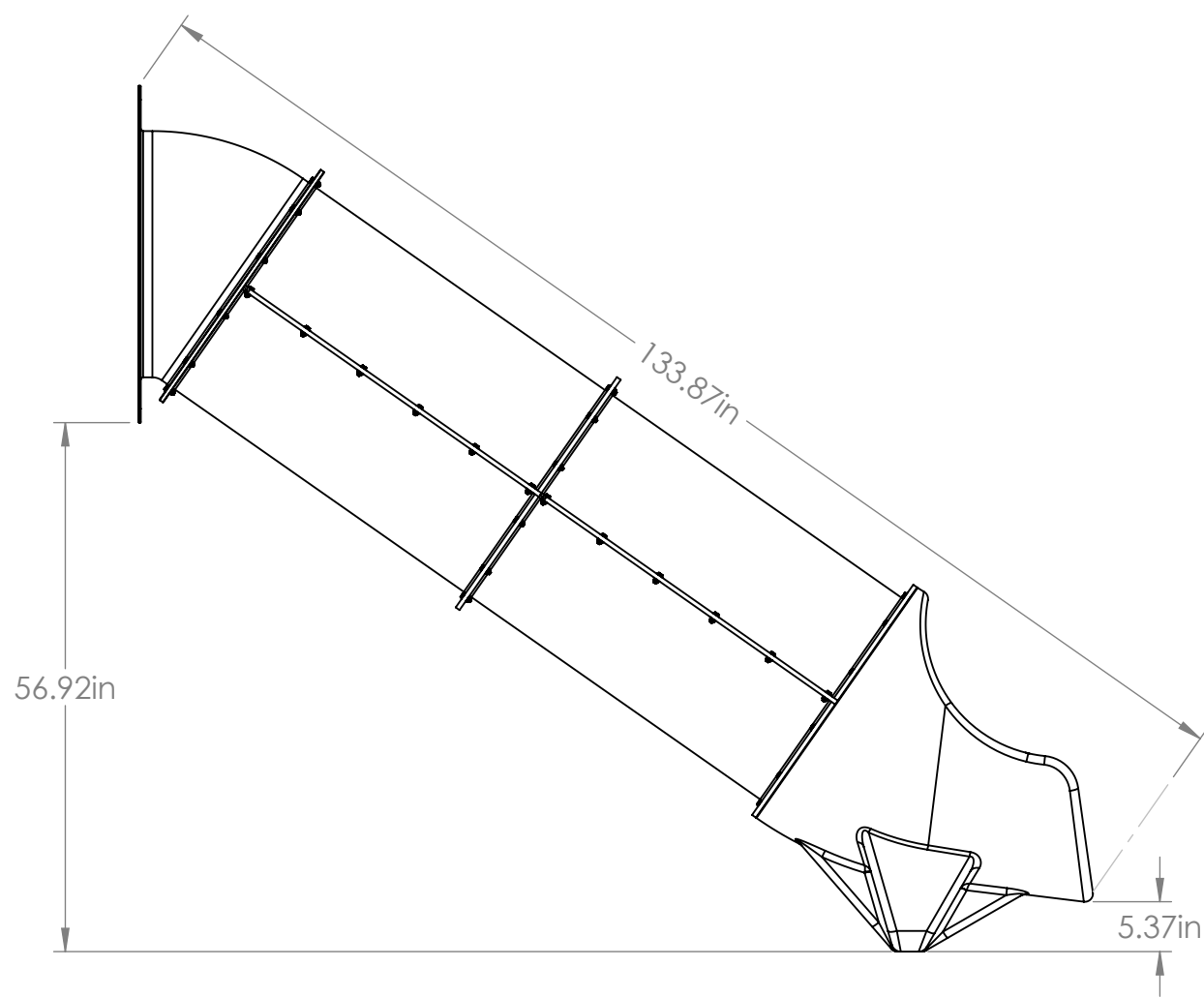
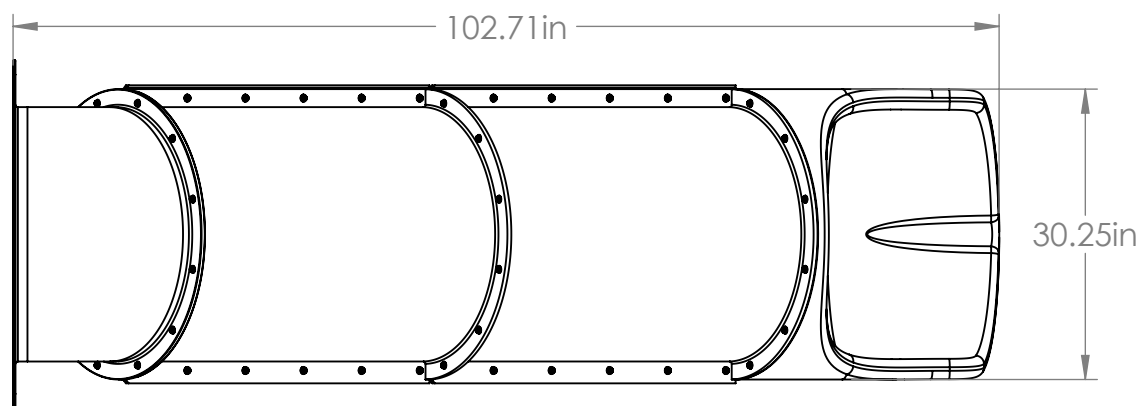
C

B

B

A

A



DIMENSIONS ARE IN INCHES
 TOLERANCES:
 FRACTIONAL ±
 ANGULAR: MACH ± BEND ±
 TWO PLACE DECIMAL ±
 THREE PLACE DECIMAL ±

DRAWING TITLE:
 5ft Tunnel Express Slide

6

5

4

3

2

1