

6

5

4

3

2

1

D

D

C

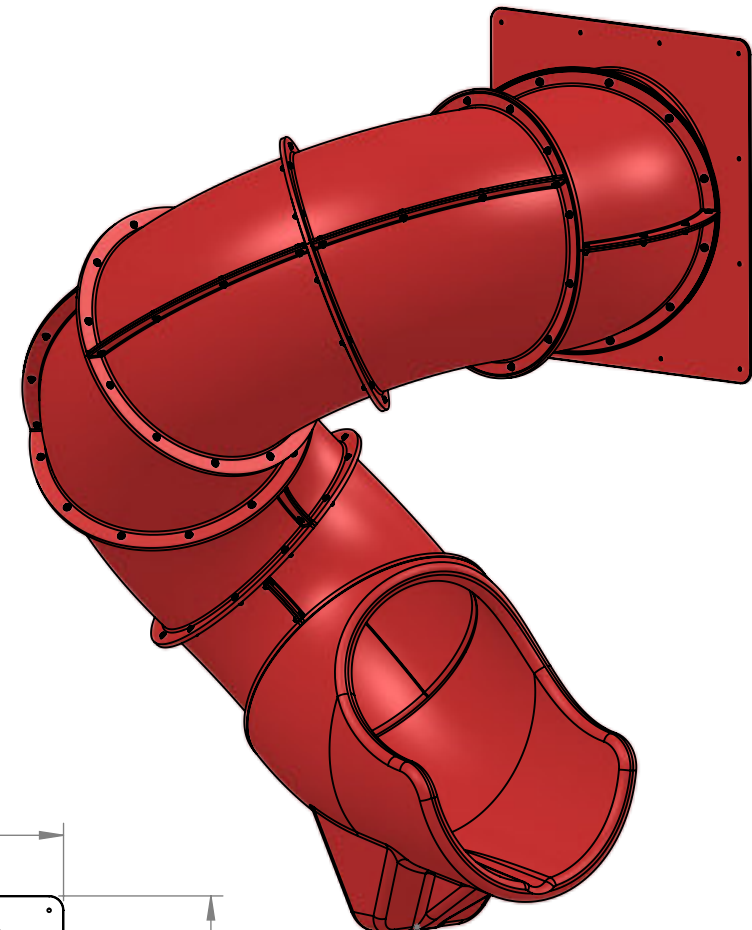
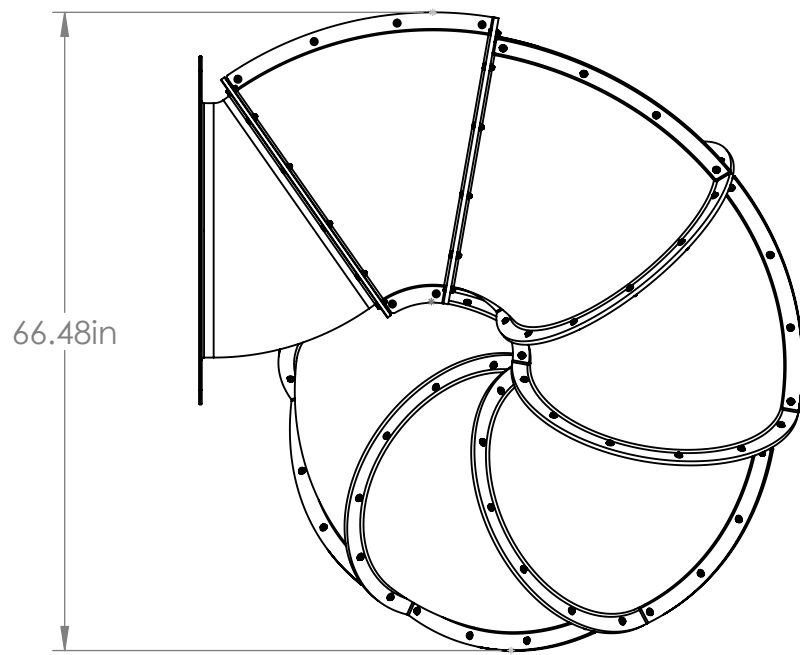
C

B

B

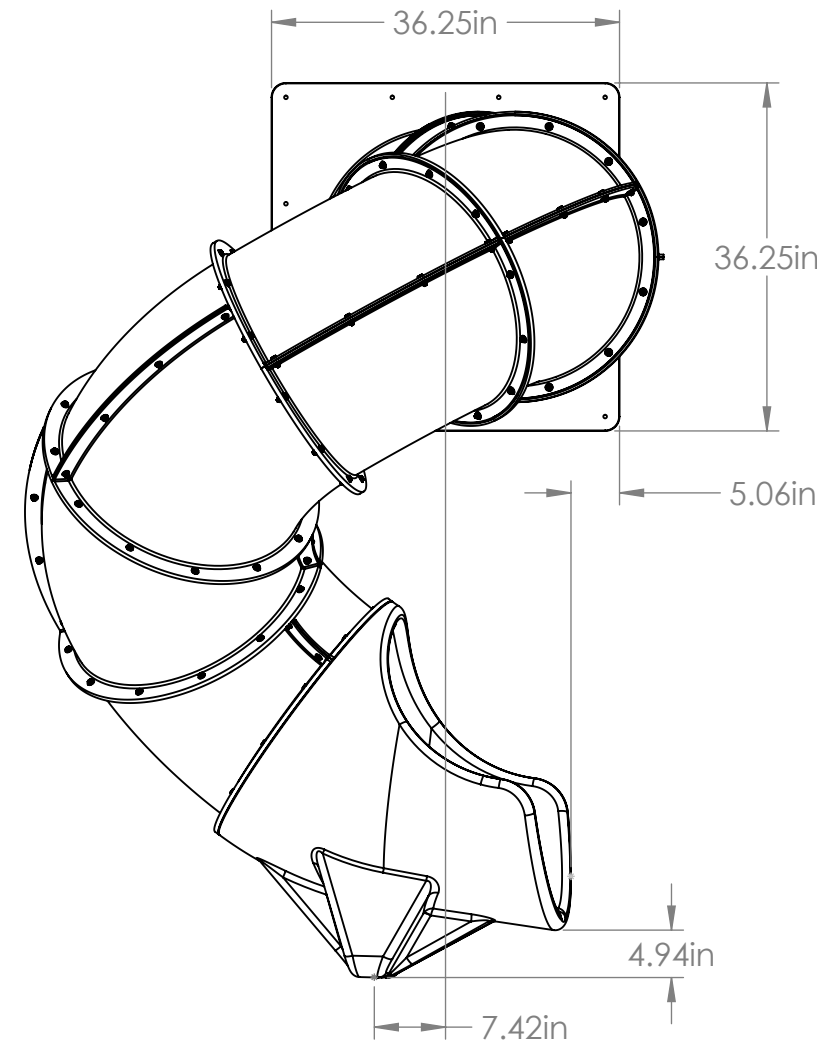
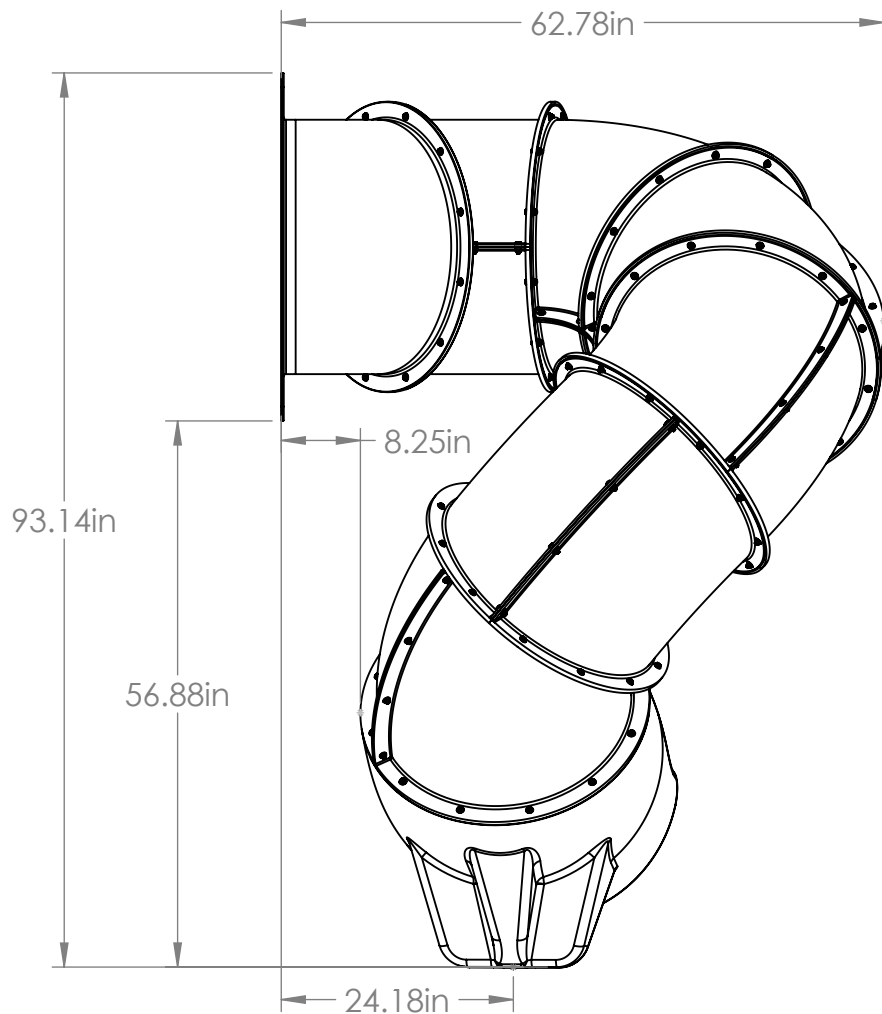
A

A



DIMENSIONS ARE IN INCHES
 TOLERANCES:
 FRACTIONAL ±
 ANGULAR: MACH ± BEND ±
 TWO PLACE DECIMAL ±
 THREE PLACE DECIMAL ±

DRAWING TITLE:
 5ft Turbo Twister Slide



6

5

4

3

2

1

SCALE: 1:20